

## Technical specification Thermostat HC90

Supply voltage	85-265VAC ~ 50/60Hz
Max. current at 230V	15A
Standby power	<1W
Wi-Fi	YES
App. controlled	YES (iOS/Android)
Display	Digital LCD-touchscreen with light
IP-rating	IP21
Temperature range	-10°C to +60°C
Sensor type	NTC 10kΩ at 25°C
Sensor selection	Floor sensor, Built-in sensor, both
Approval	CE, RoHS
Built-in option	Euro pattress box
Wire diameter	Max. 2,5mm <sup>2</sup>
Guarantee	3 years
Colour	White/Black
Weight	196g
Outer dimension (display)	WxHxD 87x87x16mm
Inner dimension (Connection)	WxHxD 51x51x26mm
Sensor wire	2m

### Application area

- Indoor areas
- Ord. Housing areas
- For business areas
- For electrical heating



## Product Data



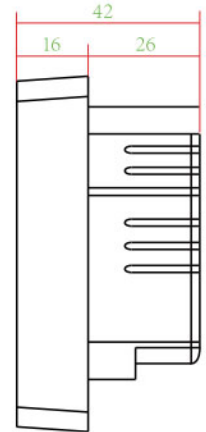
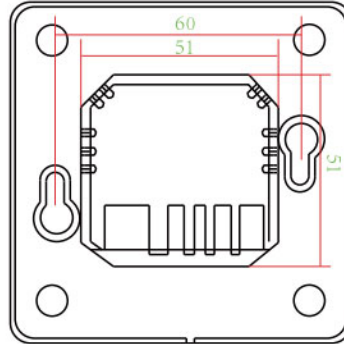
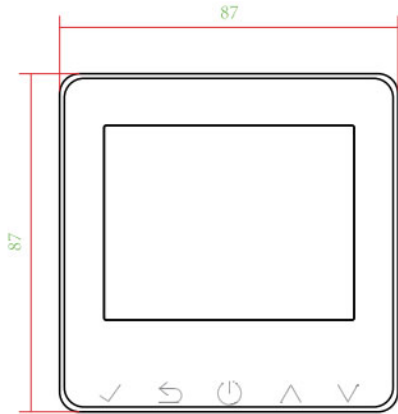
The HC90 is one of the most intelligent thermostats on the market when it comes to regulating electric floor heating. The thermostat ensures that the setpoint temperature is maintained based on the desired value set on the display. The thermostat can be connected wirelessly to the home's WIFI which allows a smartphone or tablet to communicate with the thermostat through an application (iOS/Android).

- Open window-function
- Holiday function
- Frost protection function
- Consumption monitoring
- Key lock
- Sensor selection
- Time display
- Adaptiv function
- Week program with each day programmable
- Floor high temperature protection
- Hold function

Technical specification

Thermostat **HC90**

**Dimensions (mm)**



**Connection**

